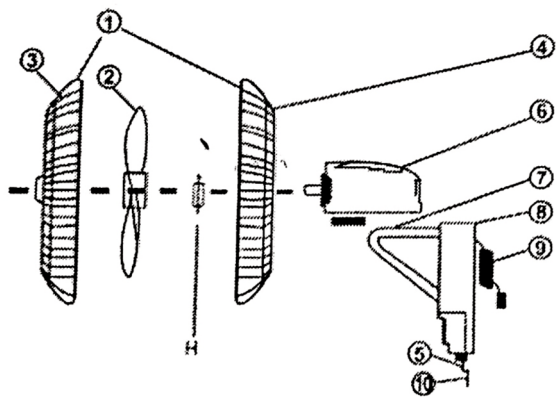


29.7 X 21 CM

1. PARTS IDENTIFICATION



1	Guard
2	Blade
3	Guard clip
4	Handle
5	Clutch handle
6	Motor
7	kneeJoint
8	Stand
9	Cord
10	Switch, LAMP

2. HOW TO ASSEMBLE

- Turn the nut H counterclockwise and remove it.
- Place the rear guard in the proper position. Fit the protections into the guide holes of the guard.
- Turn the nut clockwise and tighten it completely.
- Pull out tube of the shaft.
- Tighten the screw to fasten the blade.
- Attach the front guard.

3. OPERATION

- The speed of the fan can be controlled by a digital indicating device. Pull the string the fan will start with "1" displayed. Further pulling the string, the fan will speed up with the digital displaying "2" or "3" respectively. When the device displays "0" again, the fan stops.
- To change the direction of the air flow, push the edge of the guard to the desired position.
- The fan will start oscillating you push the handle, and stop oscillating push the handle

4. PAY PARTICULAR ATTENTION TO THE FOLLOWING:

1. Use only with rated Voltage.
2. Do not use acids, chemicals, oils, etc. have been used.

5. GUIDE TO BETTER MAINTENANCE

1. Keep dry Never be of excessive humidity and water
2. Keep the fan clean. Wipe away dirt with a clean soft cloth, ordinary soap and water, wipe dry, Do not use solvents...etc. [gasoline or petroleum.]

1

iBELL®
WARRANTY CARD

Dear customer

Thank you for purchasing iBELL® product. Your iBELL® product is under warranty in accordance with terms and conditions stated herein.

- ◆ Your units and components contained therein are warranted against defective material and workmanship for a period of 2 years from the date of purchase.
- ◆ To obtain warranty protection, notice of alleged defect must be given promptly upon discovery and warranty card must be presented along with proof of date of purchase to our service personnel at the time of service.
- ◆ The company decision on identification of the defects due to faulty/defective spare parts or faulty workmanship or misuse/abuse shall be final and you shall agree to abide by such decision.
- ◆ The defective parts/material shall be replaced with a functionally working equivalent part/material and defective part/material will become the property of the company.

CUSTOMER COPY

Product : **WALL FAN** Model No : **IBL WF 9816**

Serial No.: Date of Purchase:.....

Buyer Name and Address:

Dealer Name and Address:

Dealer stamp

2

LIMITATIONS OF WARRANTY

- Damage resulting from accidents, misuse, abuse, alteration, tempering or failure of the purchaser to follow the normal operating procedure outlined in user manual.
- Defect of damage due to spillage of liquids, due to insect or wrong use of electrical supply and voltage.
- Normal wear and tear, corrosion, rusting or stains.
- Scratches and damage to outer surface areas and externally exposed units or parts that are due to normal customer use.
- Claim for damaged /missing parts after seven days from the original date of purchase
- If any part or parts of the unit are replaced with a part or parts not supplied or approved by company or unit has been dismantled or repaired by any person other than authorized technician.
- Product which has serial number removed or tampered
- If the warranty card is being altered, defaced or erased in any manner whatsoever.
- To obtain service, the product must be sent through freight prepaid to iBELL Service Center

CUSTOMER CARE CENTER

For any query or concerns related to the after sales service, you may please contact us on the number or email mentioned below

Tel: 0484-2922600/2620012
1800 120 555 999

E-mail : service@ibellsworld.com Web : www.ibellstore.com

iBELL®
Complete Home Solution

WALL FAN
IBL WF9816



Please read carefully before use and keep for future reference