



RADIO DSP 3 BANDS FM / AM / SW
Bluetooth / USB / TF CARD PLAYER

IBL FM730BT USER MANUAL

OPERATING INSTRUCTIONS

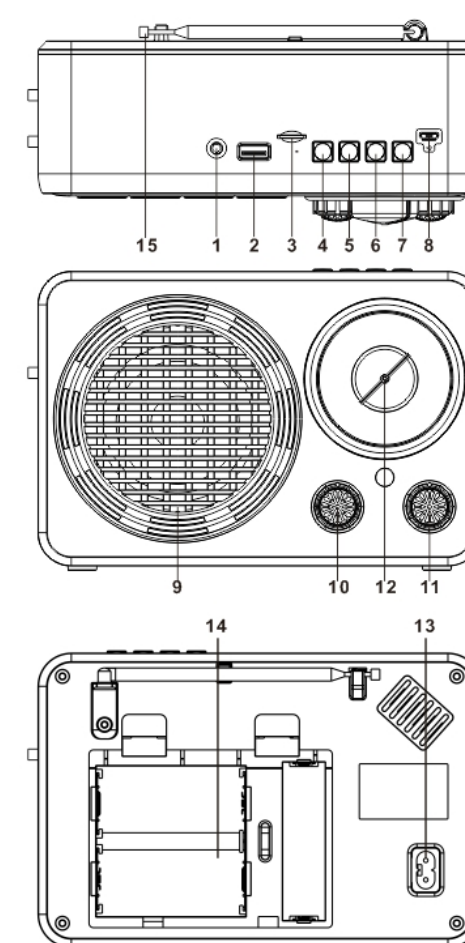
OPERATION OF THE RADIO:

1. Turn on the ignition switch (11) as well as the volume control knob (11). Set it the appropriate volume.
2. Press (10), choose the MP3 or Radio, turn the switch (1) to select the program you want to capture.
3. Radio DSP 3 bands FM / AM / SW, please press (10) to choose many bands, or remove the telescopic antenna to get a better reception by changing its length and angle.
4. Receive AM using the internal magnetic antenna, and you can get the best reception by turning the direction of the radio.
5. Connect the USB (2) / TF (14), AUTOPRODUCTION, AUX support (1).
6. When you do not want to listen to the radio, turn off the ignition switch (11)

READER PLAYBACK OPERATING:

1. The default for Bluetooth status (Bluetooth device name BT-888)
2. With TF, U disc reader (Maximum support 32G),
3. No need to shift among U disc/TF, speaker automatically read the first input media device. If first input TF, you need to take out TF card, then speaker can read Mp3 music file from U Disc.
4. Turn on the power switch (11).
5. Turn the volume control knob (11) adjust it to the appropriate volume.
6. Press the (4) for this PLAYBACK/PAUSE, Press the button (5) for the PREV, Press the button (6) for the NEXT.

1. AUX IN
2. USB PORT
3. TF CARD SOLT
4. PLAY/PAUSE
5. PREV
6. NEXT
7. MODE
8. DC 5V SOLT
9. SPEAKER
10. BAND
11. VOLUME
12. TUNING
13. AC IN
14. BATTERY BIN
15. Telescopic antenna



Main parameter

3 BAND RADIO FM / AM / SW
BLUETOOTH / USB / TF CARD PLAYER
HIGH SENSITIVITY ANTENNA
RECHARGEABLE BATTERY
AC: 220V/50Hz
DC: 5V